

# Owner's Manual

## Enhance Spa Bath Blower



## CAUTION

INSTALLATION AND OR REPAIRS SHOULD ONLY BE CARRIED OUT BY THE MANUFACTURER, AUTHORISED SERVICE PERSONNEL OR A QUALIFIED PERSON TO ENSURE SAFETY AND AVOID HAZARDS.

EQUIPMENT CAN ONLY BE WORKED ON AFTER DISCONNECTING THE UNIT FROM THE MAINS POWER.

### Enhance Spa Bath Blower

Congratulations on the purchase of your new Enhance Spa Blower. The Enhance Spa Blower has been specifically designed for spa bath applications to ensure that you have optimum Air Jet performance and many years of trouble free operation.

Please read the installation instructions carefully before installing your Enhance Spa Blower, failure to do so may void your warranty.

### Enhance Spa Blower - Spa Bath Installation:

1. To ensure optimum performance your Enhance Spa Blower should be located as close as possible to your spa bath. To ensure high efficiency of your Enhance Spa Blower, we recommend that the spa blower be installed not exceeding 4 metres.
2. The Enhance Spa Blower can be located internally or externally. If you are fitting the Enhance Spa Blower externally, you must fit an Enhance Spa Blower Silencer (part# 3800) to meet IPX5 Electrical regulations (see page 5).
3. Internal installation must have adequate ventilation (minimum area 100cm<sup>2</sup>), inadequate ventilation may cause the motor to overheat and cut out on thermal over load.
4. Install the Enhance Spa Blower as per diagram 1 or diagram 2 for internal installation and diagram 3 for external installation. It is most important that the blower loop be a minimum of 200mm above the level of the bath as per diagram 1 and the double loop installed as per diagram 2 for under the hob installations failure to meet these requirements will void your warranty.
5. *The Enhance Spa Blower should never be installed as shown in diagram 4 or diagram 5.*
6. The Enhance Spa Blower is to be fixed to the frame or support through the blower mounting points in the blower base (refer Diagram 6) with appropriate fasteners.
7. Barrel unions only require to be hand tightened, over tightening may cause damage to the unions and or o rings. *Do not use stillsons or any other mechanical leverage.*
8. *Before connecting the Enhance Spa Blower to the pipe work, ensure that all glued fittings are allowed to dry and vent to atmosphere for 24 hours. Failure to vent the pipe work may cause serious injury or installation failure. Check that the pipe work is clear of any debris as small particles that can cause blockage to the air jets or manifolds.*
9. Installation of the Enhance Spa Blower must have access for servicing the blower or pipe work. *Service access panel must be provided for every installation.*

## WARNING



*Ensure that all glued fittings and pipe work are allowed to dry and that the glue vapour is allowed to vent to the atmosphere for a minimum of 24 hours before closing the installation. Failure to do so could cause serious injury or damage to the product.*



*This appliance is not intended for use by persons (including children) with reduced physical, sensory or mental capabilities, or lack of experience and knowledge, unless they have been given supervision or instruction concerning use of the appliance by a person responsible for their safety.*

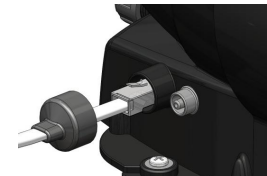
### Air Tube Connection “Enhance Spa Blower” (refer diagram 7)

1. Supplied with your spa blower is a 4 metre roll of 3mm clear air tube, fit one end of the air tube to the air button (supplied with the spa bath) on the spa bath.
2. Uncoil the air tube so that you can connect it to the air switch located on the Enhance Spa Blower, the air tube connection is located just above the mounting bracket (refer diagram 7).
3. *Cut off excess tube and ensure that the tube is not kinked, do not wrap or loop excess tube around frame work of the bath or pipe work as this may cause the air button not to operate correctly.*



### Touch Pad Connection “Enhance Spa Blower” (refer diagram 8)

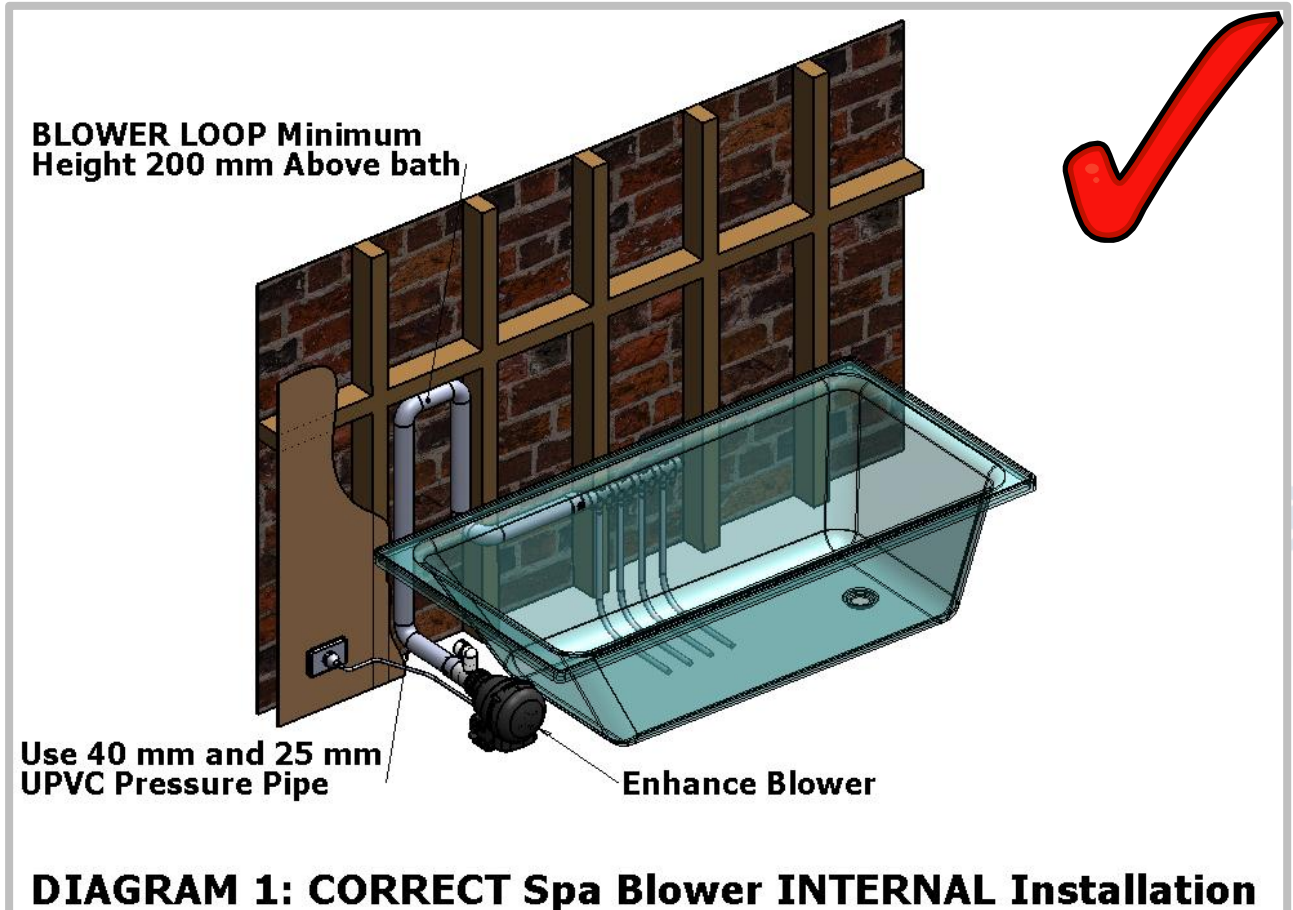
1. Supplied with your spa blower is a 4 metre touch pad cable, one end of this cable may be already fitted to the touch pad on your spa bath or it may be inside the blower carton.
2. Remove the rubber plug to access the touch pad connection point on the spa blower this is located just above the mounting bracket (refer diagram 8).
3. Connect the other end of the cable (with rubber cap) into the Enhance Spa Blower and push the connector into the housing until it “clicks” into the fixed position
4. Push the protective rubber cap on the touch pad cable over the circular housing.
5. It is important to ensure that the rubber cap is installed correctly (as per diagram 8) failure to do so will void the warranty.



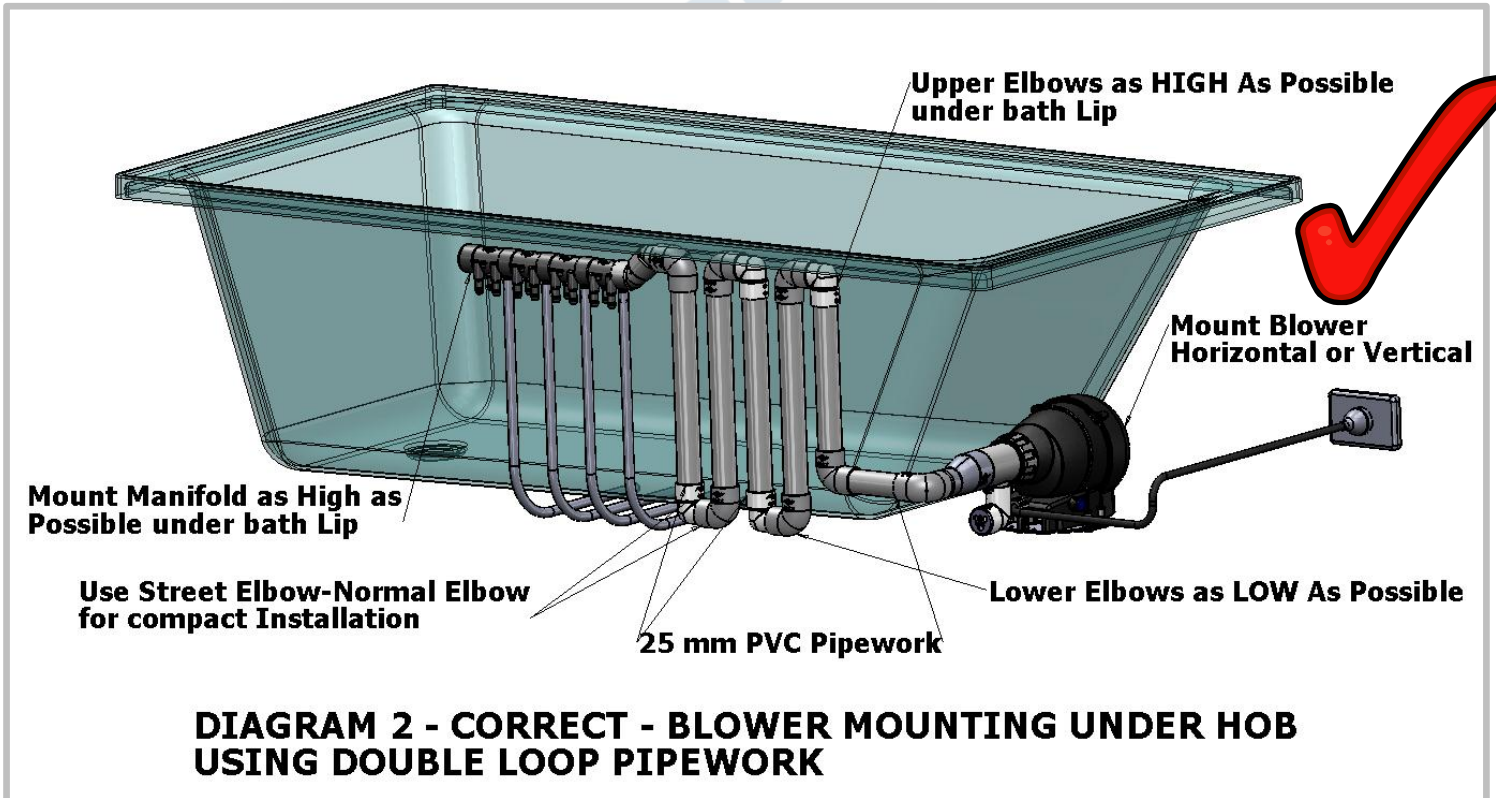
### Electrical Connection Enhance Spa Blower

- 1 Enhance Spa Blower must be fitted in accordance with the relevant national wiring rules and electrical standards, particularly AS/NZS 3000 Section 7 or equivalent. In accordance with this requirement – all Spa Blower installations must be protected by a residual-current device with maximum rated residual current of 30 mA.
2. The Enhance Spa Blower is fitted with a standard lead and three pin plug for 240-220V 50Hz power supply.
3. The Enhance Spa Blower power connection must be accessible so that it can be independently switched off in case of an emergency but must not be accessible by the bath user.
4. If damage occurs to the power cord it must be replaced by Edgetec or an authorised service agent or suitably qualified person

## CORRECT INTERNAL SPA BLOWER INSTALLATION



## CORRECT INTERNAL SPA BLOWER INSTALLATION

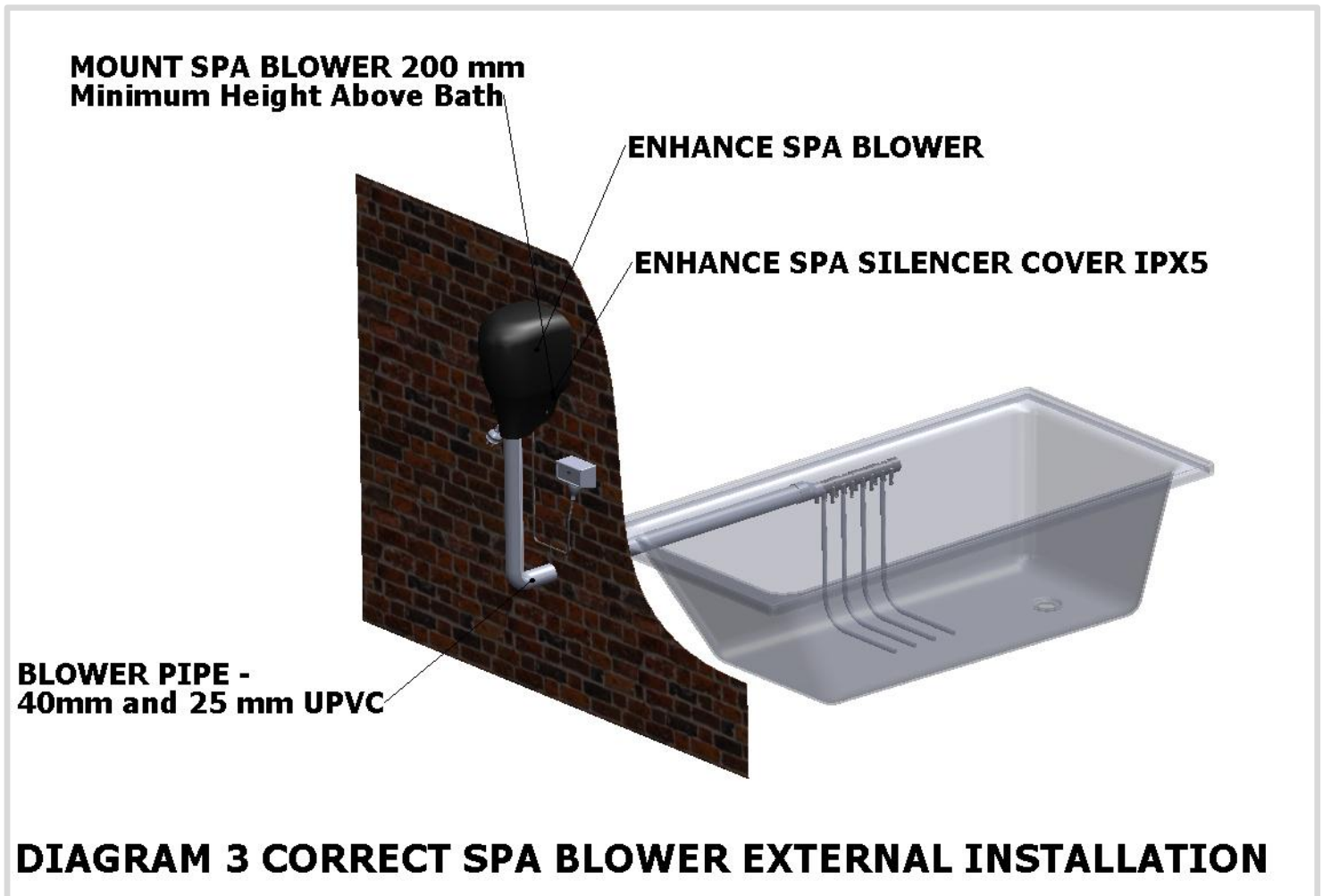




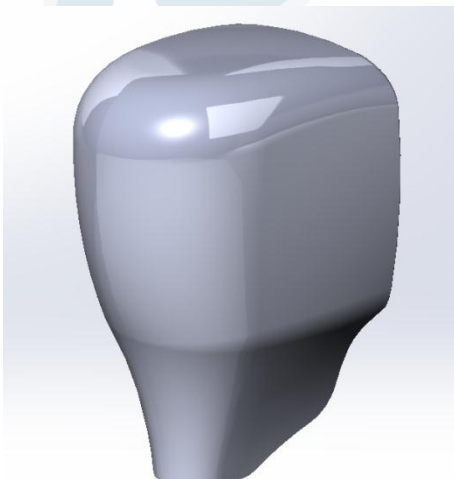
## CORRECT EXTERNAL SPA BLOWER INSTALLATION

### IMPORTANT NOTE

Enhance Blower Cover (shown below) **MUST BE** fitted to **ALL EXTERNAL INSALLATIONS** to comply with IPX5 Electrical Regulations



Enhance Spa Blower Silencer Cover (Part #3800) must be fitted to all external installations to meet IPX5 Electrical regulations.



## INCORRECT SPA BLOWER INSTALLATION

DO NOT CONNECT BLOWER MANIFOLD UNDER HOB  
WITHOUT DOUBLE LOOP PIPEWORK - Refer Diagram 1a

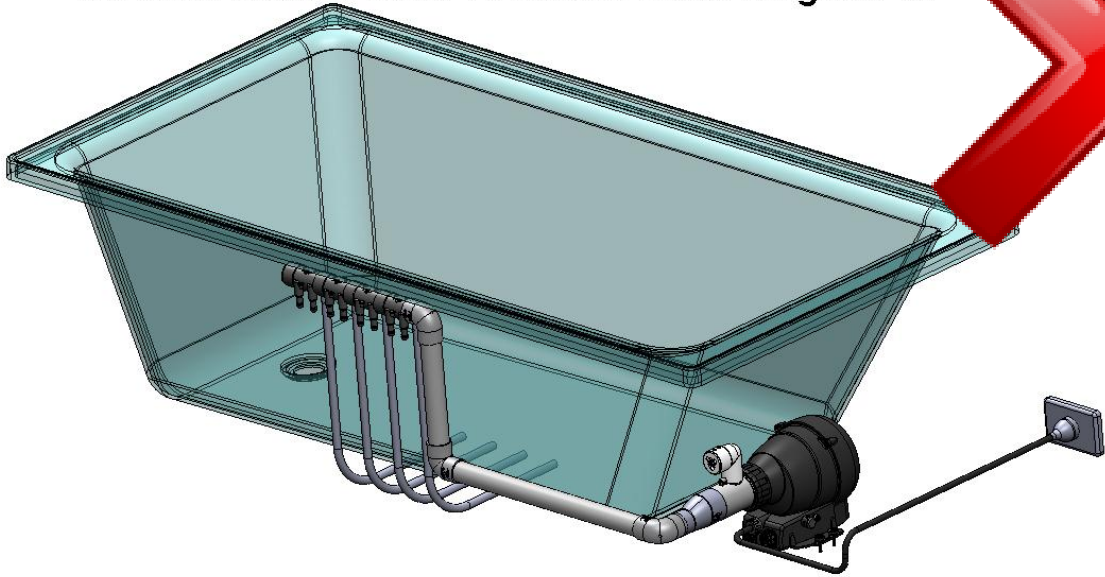
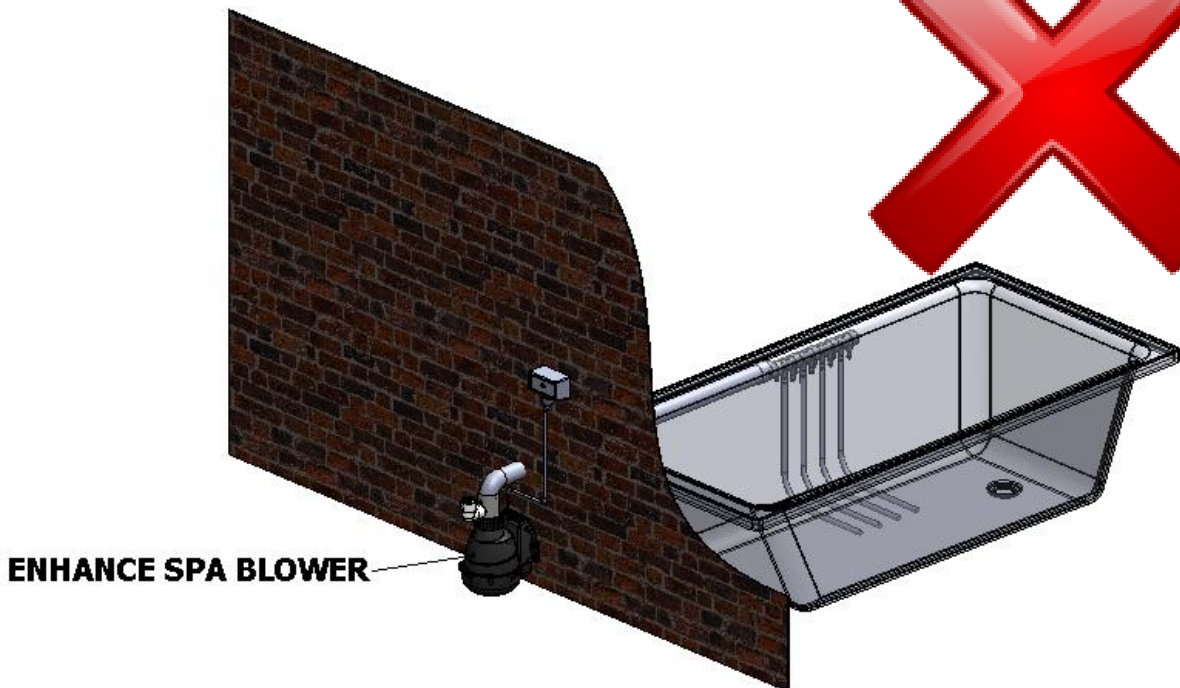


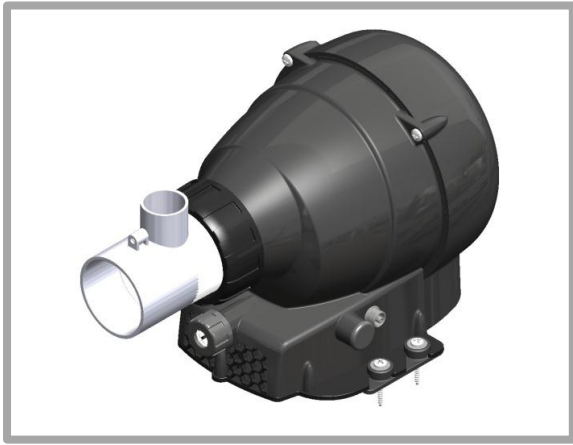
DIAGRAM 4 - INSTALLING BLOWER (AS ABOVE) WILL VOID WARRANTY  
AND MAY CAUSE ELECTRIC SHOCK HAZARD



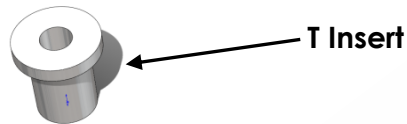
ENHANCE SPA BLOWER

DIAGRAM 5 - INCORRECT EXTERNAL INSTALLATION

## Diagram 6 - Mounting base Connection

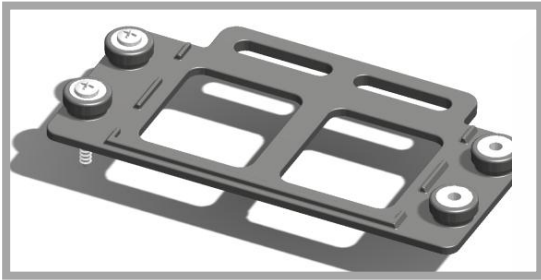
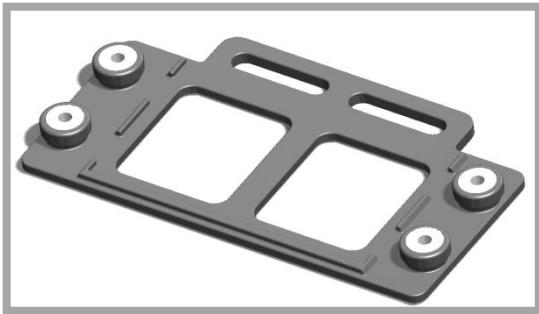


The Enhance Spa Blower Mounting uses a moulded rubber anti vibration pad. This pad features 4 T inserts through which the mounting screws are fitted. For maximum vibration isolation – these T inserts must be used in the mounting.



The Vibration Isolation Pad – with T Inserts can be removed from the blower and used as a template for drilling holes for mounting screws.

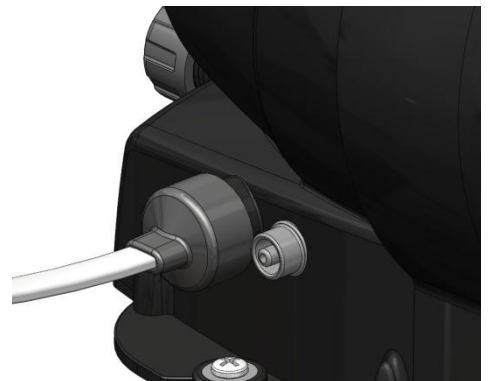
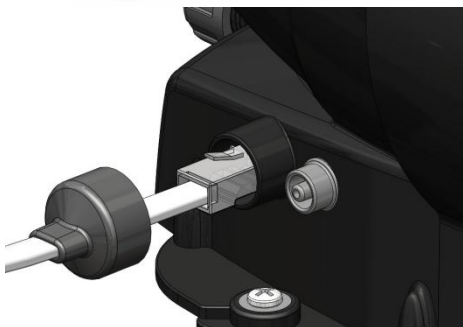
Note: If the blower is mounted close to a wall – or the rear screws are hidden behind the blower, fit the two rear screws to the anti-vibration pad as shown, then slide the blower into position on the pad, and then fit the two front screws. This makes installation very easy.



## Diagram 7 Air Tube Connections



## Diagram 8 Touch Pad Connections



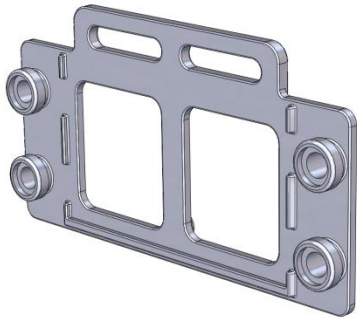
## Spa Blower Installation - Internal Mounting

1. Select position for Spa Blower

2. Carefully Position Mounting Screw Holes to Contact solid timber or bricks

3. Remove T Slots Inserts from Blower Mounting Base

4. Remove Anti Vibration Pad - this can be used as template for marking out Mounting Screw Position



5. Refit Anti Vibration Pad to Spa Blower

6. Replace T Slot Inserts (These provide vibration isolation between Spa Blower and Mounting Surface)

7. Mount Spa Blower using #8 X 30 self-tapping Screws (not Supplied)

Handy Hint: If mounting Spa Blower in difficult access against a wall.

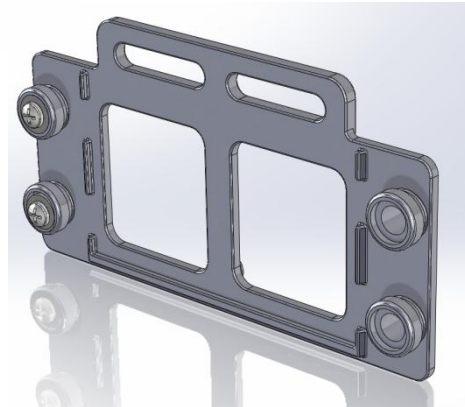
1. Fit the Innermost screws first

2. Then slide the Spa Blower onto the Anti-Vibration Pad.

3. Bend the Anti-Vibration Pad into the Spa Blower Mount Foot

4. Insert the T Slot Inserts

5. Fit the Front 2 screws and tighten.





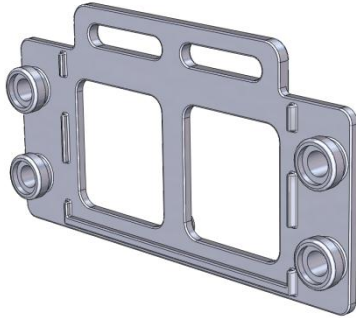
## Spa Blower Installation - External Mounting

1. Select position for Spa Blower

2. Carefully Position Mounting Screw Holes to Contact solid timber or bricks

3. Remove T Slots Inserts from Blower Mounting Base

4. Remove Anti Vibration Pad - this can be used as template for marking out Mounting Screw Position



5. Refit Anti Vibration Pad to Spa Blower

6. Replace T Slot Inserts (These provide vibration isolation between Spa Blower and Mounting Surface)

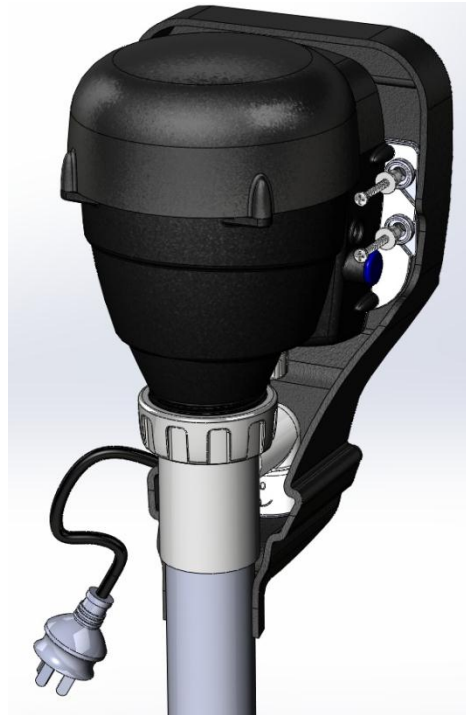
7. Fit the Spa Blower Inside Silencer Backplate

8. Mount Spa Blower using #8 X 30 self-tapping Screws (not Supplied)

9. *Important: Before fitting the front cover ensure that the power lead, air tube or touch pad cable are in the correct position and will not be crushed or kinked when fitting the front cover.*

10. Slide Silencer Cover over top of Spa Blower and fit into top of Silencer Backplate

11. Secure Cover with 2 off #8 X 12 self-tapping Screws (Supplied)



## Enhance Spa Blower Models and Operation Guide



### Air Switch Model:

- When power is switched on for the first time the blower will purge for approximately 1 second to indicate that power is connected and the unit is ready for use.
- The air switch model is operated from the air button located on your spa bath.
- Press the air button to start the Enhance Spa Blower on high.
- Second press is medium speed.
- Third press is low speed.
- Fourth press the blower is in wave motion, varying the speed from low to high.
- Fifth press and the system will turn off.
- All enhance spa blowers will run for a maximum time of 30 minutes. To restart press the button again.

### Sanitation Cycle:

- All Enhance Spa Blowers are fitted with a sanitation cycle. After the system has been turned off via the air button the Enhance Spa Blower will automatically turn itself on after 10 minutes and run on low speed for 15 seconds. This ensures that any excess water in the air lines or air jets is removed. *Please note: should the sanitation cycle come on while you are still bathing, simply switch the blower back on when you exit the bath to reset the sanitation cycle.*

### Eezi Air Model:

- When power is switched on for the first time the blower will purge for approximately 1 second to indicate that power is connected and the unit is ready for use.
- The Eezi Air model is operated from the Eezi Air Touch Pad.
- Press the touch pad to start the Enhance Spa Blower on high.
- Second press is medium speed.
- Third press is low speed.
- Fourth press the blower is in wave motion, varying the speed from low to high.
- Fifth press and the system will turn off.
- All enhance spa blowers will run for a maximum time of 30 minutes. To restart press the touch pad again.



### Sanitation Cycle:

- All Enhance Spa Blowers are fitted with a sanitation cycle. After the system has been turned off via the touch pad the Enhance Spa Blower will automatically turn itself on after 10 minutes and run on low speed for 15 seconds. This ensures that any excess water in the air lines or air jets is removed. *Please note: should the sanitation cycle come on while you are still bathing, simply switch the blower back on when you exit the bath to reset the sanitation cycle.*



#### Sensa Touch Model:

- When power is switched on for the first time the blower will purge for approximately 1 second to indicate that power is connected and the unit is ready for use.
- The Sensa Touch model is operated from the Sensa Touch Pad.
- Press the Sensa Touch middle button (Air) to start the Enhance Spa Blower on high.
- Second press is medium speed.
- Third press is low speed.
- Fourth press the blower is in wave motion, varying the speed from low to high.
- Fifth press and the system will turn off.
- All enhance spa blowers will run for a maximum time of 30 minutes. To restart press the touch pad again.

#### Sanitation Cycle:

- All Enhance Spa Blowers are fitted with a sanitation cycle. After the system has been turned off via the Sensa Touch keypad the Enhance Spa Blower will automatically turn itself on after 10 minutes and run on low speed for 15 seconds. This ensures that any excess water in the air lines or air jets is removed. *Please note: should the sanitation cycle come on while you are still bathing, simply switch the blower back on when you exit the bath to reset the sanitation cycle.*



### Spa-Key Model:

- When power is switched ON and after approximately 15 seconds the blower will purge for approximately 1 second to indicate that power is connected and the unit is ready for use.
- The Spa Key model is operated from the Spa Key hand set button (colour Blue) third button down (labelled Air) on the hand set.
- Press the Spa Key “Air” button to start the Enhance Spa Blower on high.
- Second press is medium speed.
- Third press is low speed.
- Fourth press the blower is in wave motion, varying the speed from low to high.
- Fifth press and the system will turn off.
- All enhance spa blowers will run for a maximum time of 30 minutes. To restart press the touch pad again.

### Sanitation Cycle:

- All Enhance Spa Blowers are fitted with a sanitation cycle. After the system has been turned off via the Spa Key “Air” button the Enhance Spa Blower will automatically turn itself on after 10 minutes and run on low speed for 15 seconds. This ensures that any excess water in the air lines or air jets is removed. *Please note: should the sanitation cycle come on while you are still bathing, simply switch the blower back on when you exit the bath to reset the sanitation cycle.*

- Hand Set: Your hand set that is provided with your system has already been synchronised during assembly and is ready to use.
- Extra or Replacement Hand Set. Can be synchronised by switching the power off to the unit and then back on, and pressing any “Button” on the SPA-KEY handset within 15 seconds, this will synchronise the handset. Refer to [www.spakey.com.au](http://www.spakey.com.au) for further technical information.

### Start Up

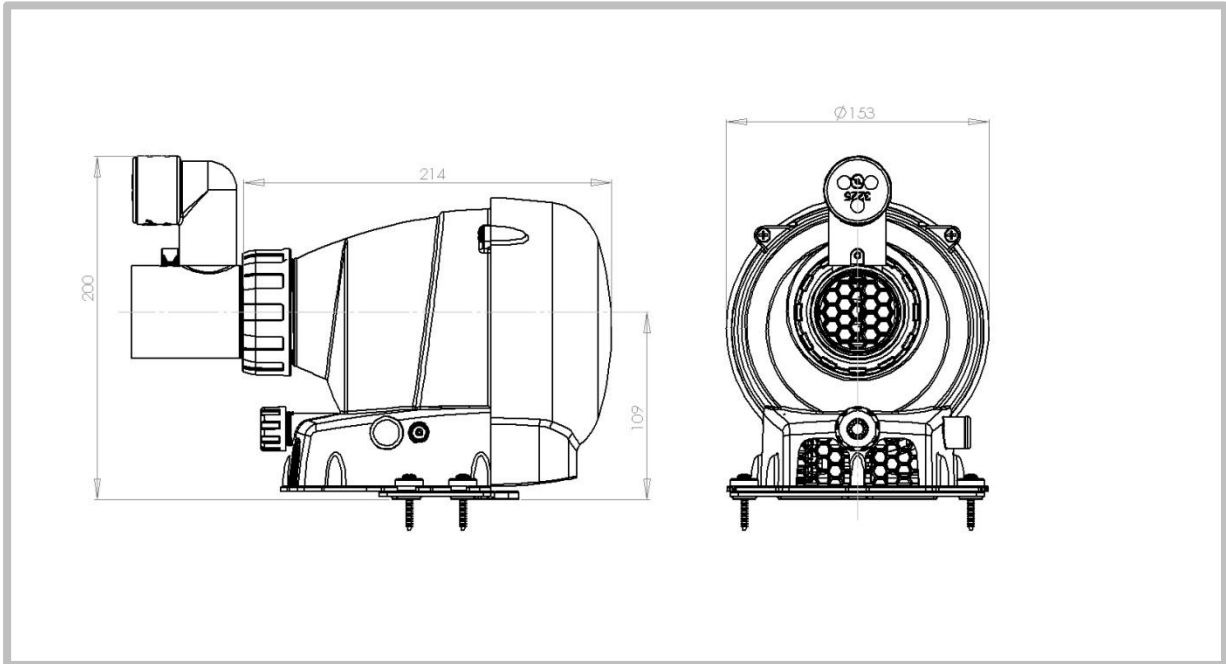
1. Check all connections and pipes to ensure that they are glued and connected.
2. Air Switch Models-ensure that the air hose is connected from the air button to the control box.
3. Touch Pad Models-ensure that the cable supplied is connected to the touch pad and to the control box. Ensure that the rubber cap is fitted over the circular housing.
4. Check that the air jet connection hoses are correctly fitted to all the air jet elbows and manifold barbs.
5. Ensure that the air hoses connected to the air jets have not been kinked or squashed during installation.
6. Ensure that the air jets are free from debris like tile grout or plaster.
7. Fill the spa bath and check for leaks in the air jet hoses and pipe work.



## Enhance Spa Blower Technical Data

Blower Model	Supply Voltage	Hz	Power (watts)	Heater (watts)	Current (amps)
3700	230-240	50	600	400	4
3730	230-240	50	600	400	4

### BLOWER MODEL DIMENSIONS 3700 & 3730



### Trouble Shooting Guide “Air Button”

Symptom	Possible Cause	Remedy
<b>Enhance Spa Blower will not start</b>	<b>Air tube is not connected</b>	<b>Check to ensure that the air tube is connected from the air button to the control box</b>
	<b>Air Tube is kinked</b>	<b>Check to ensure that the air tube is not kinked or wrapped around the frame work as this can stop the pulse of air required to come from the air button</b>
	<b>Air button not operating</b>	<b>Check to ensure that the air button is clear of debris (i.e. tile grout or plaster) and that the air button plunger moves freely</b>
	<b>Mains Power to Enhance Spa Blower is not switched on</b>	<b>Check that the power point is in the “on” position and check that there is active power at the point</b>
	<b>Water damage in the blower</b>	<b>Check to see if the blower is fitted in accordance with the installation instructions, rectify if incorrect. Water damage is not covered by warranty, replace blower with new unit</b>
	<b>Worn motor brushes</b>	<b>Due to normal operation the brushes will wear and require replacing</b>
	<b>Faulty Air switch</b>	<b>Contact service technician</b>

### Trouble Shooting Guide “Eezi Air & Sensa Touch”

Symptom	Possible Cause	Remedy
<b>Enhance Spa Blower will not start</b>	<b>Touch Pad cable is not connected</b>	<b>Check to ensure that the touch pad cable is connected correctly (as per diagram 8) to the touch pad on the spa bath and the touch pad socket on the spa blower.</b>
	<b>Mains Power to Enhance Spa Blower is not switched on</b>	<b>Check that the power point is in the “on” position and check that there is active power at the point</b>
	<b>Water damage in the blower</b>	<b>Check to see if the blower is fitted in accordance with the installation instructions, rectify if incorrect. Water damage is not covered by warranty, replace blower with new unit</b>
	<b>Worn motor brushes</b>	<b>Due to normal operation the brushes will wear and require replacing</b>

## Trouble Shooting Guide "Spa-Key"

Symptom	Possible Cause	Remedy
Enhance Spa Blower will not start <a href="http://www.spakey.com.au">www.spakey.com.au</a>	Mains Power to Enhance Spa Blower is not switched on	Check that the power point is in the "on" position and check that there is active power at the point
	Batteries are flat or not installed in Hand Set	Check to ensure that the batteries are installed in your hand set or press any button on the hand set, if the Red indicator lights up then the batteries are not flat. If the battery is flat replace the battery (A23 Battery). You do not have to re synchronize the hand set when replacing the battery
	Hand set is not synchronized with the Enhance Spa Blower control box	To synchronize a new hand set, switch "OFF" the power supply to the unit and then back "ON", and press any KEY on the SPA-KEY handset within 15 seconds, this will synchronise the handset to the blower, refer <a href="http://www.spakey.com.au">www.spakey.com.au</a> for further technical information
	Water damage in the blower	Check to see if the blower is fitted in accordance with the installation instructions, rectify if incorrect. Water damage is not covered by warranty, replace blower with new unit
	Worn motor brushes	Due to normal operation the brushes will wear and require replacing

### Enhance Spa Bath Blower Details

Model Number: \_\_\_\_\_

Serial Number: \_\_\_\_\_

Date of Purchase: \_\_\_\_\_

Invoice Number: \_\_\_\_\_

## Edgetec Product Warranty

Edgetec Systems Pty Ltd warrants that the items sold hereunder shall be free from defects in material and workmanship for a period of one (1) year at the time of the original purchase date and to the original purchaser.

### Terms & Conditions

1. This product is to be installed in accordance with the installation and operating instructions provided failure to do so will void your warranty.
2. The product warranty does not cover:
  - fair wear and tear, negligence, misuse or abuse,
  - incorrect installation,
  - water damage from external sources or inadequate ventilation,
  - cement or other building debris blocking the pipe work or air jets,
  - high voltage spikes or acts of nature,
  - repairs by unauthorised persons,
  - Incorrect voltage.

Edgetec Systems Pty Ltd has service agents throughout Australia, should you require warranty service please contact our service department for your nearest service agent.

Edgetec Systems Pty Ltd goods come with guarantees that cannot be excluded under the Australian Consumer Law. You are entitled to a replacement or refund for a major failure and compensation for any other reasonably foreseeable loss or damage. You are entitled to have the goods repaired or replaced if goods fail to be of acceptable quality and the failure does not amount to a major failure. No unauthorized personnel can make any warranty representation on the behalf of Edgetec Systems Pty Ltd unless with their written permission.

### Commercial Installation

**Commercial Warranty:** Has a limited warranty of (6) months from the date of purchase to these commercial installations include (but not limited to) hotels, motels, caravan parks and health clubs installations etc.

13 Lieber Grove  
Carrum Downs Victoria  
3201 Australia  
Tel: (613) 9775 0882  
Fax: (613) 9775 0881  
Email:  
[sales@edgetec.net](mailto:sales@edgetec.net)  
Web: [www.edgetec.net](http://www.edgetec.net)



**Proudly Australian Owned**